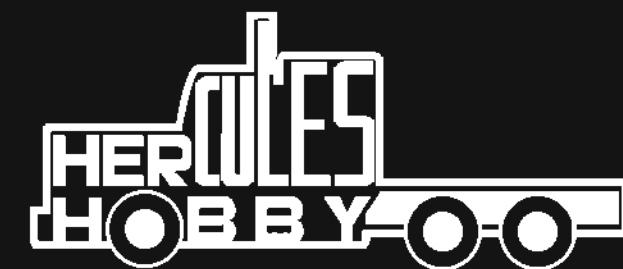
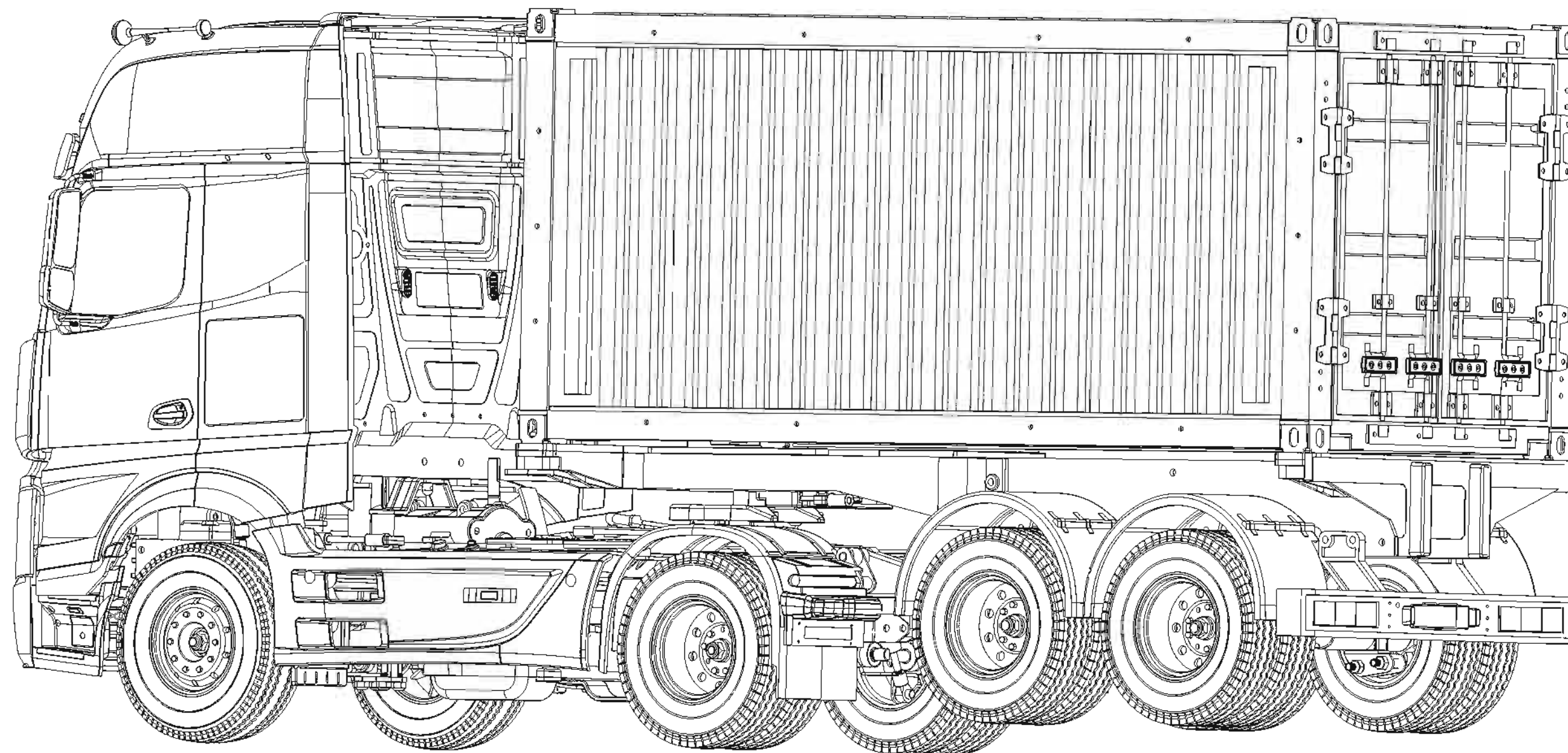
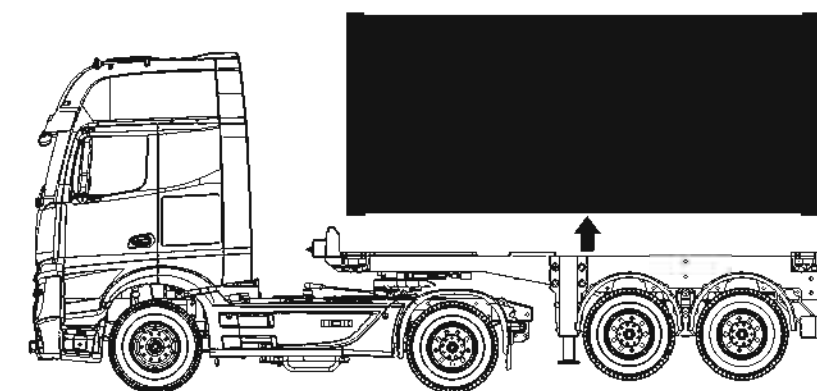


# 20-FOOT CONTAINER

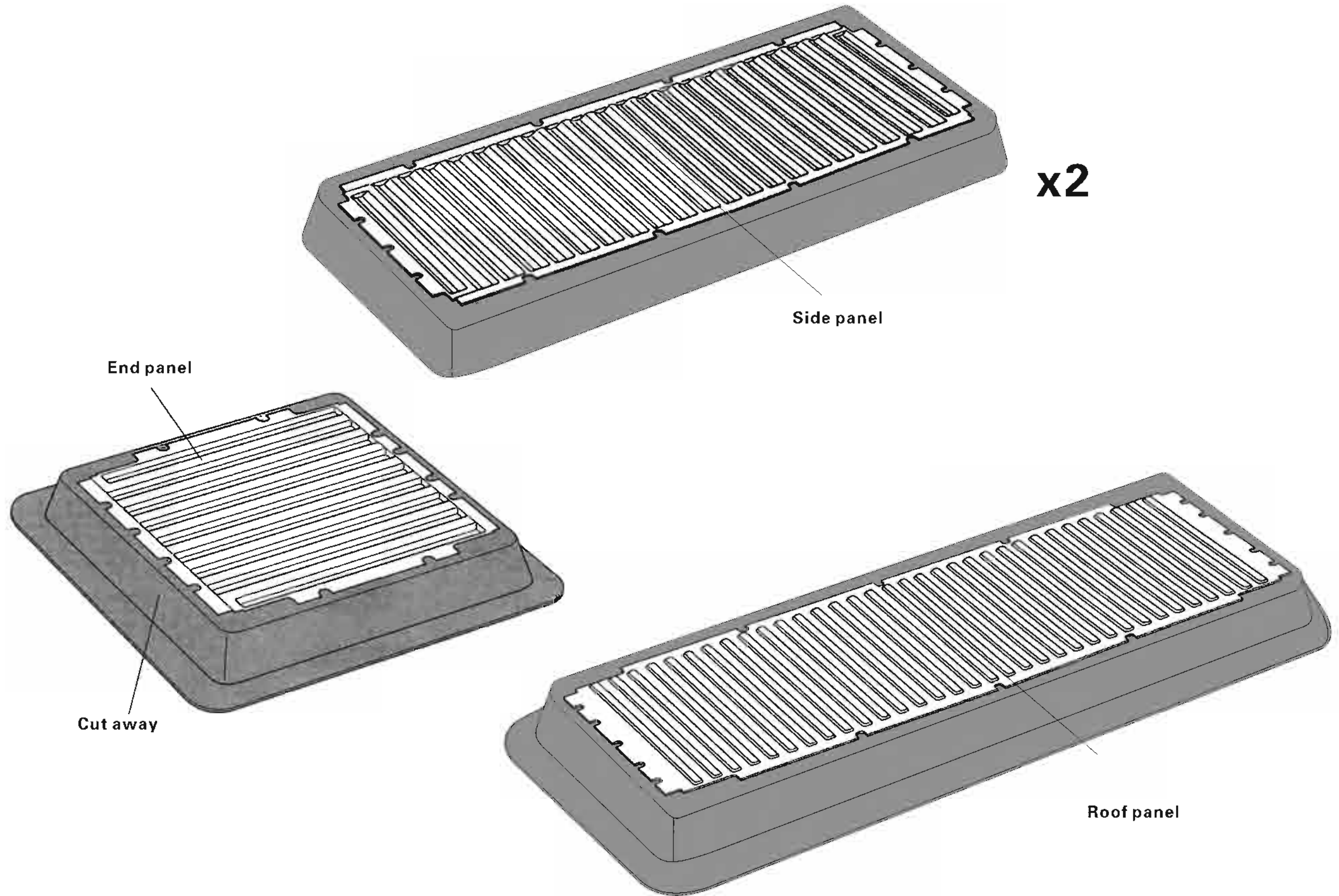


**For 1/14 Scale R/C  
Semi-Trailer**




1

# 1 Cut Panel





2

## 2 Floor Panel Assembling(Rear)

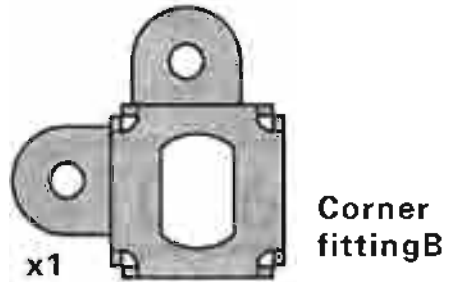
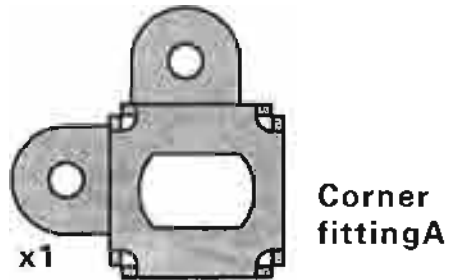
 PM 3x10mm Screw  
x2

 PM 3x8mm Screw  
x4

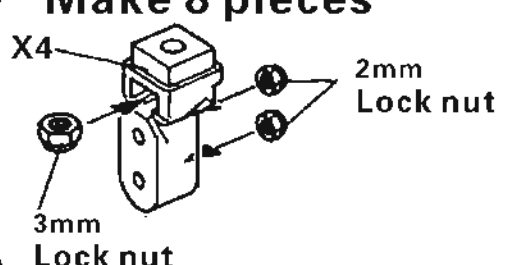
 TP 2x8mm Screw  
x24

 3mm Lock nut  
x12

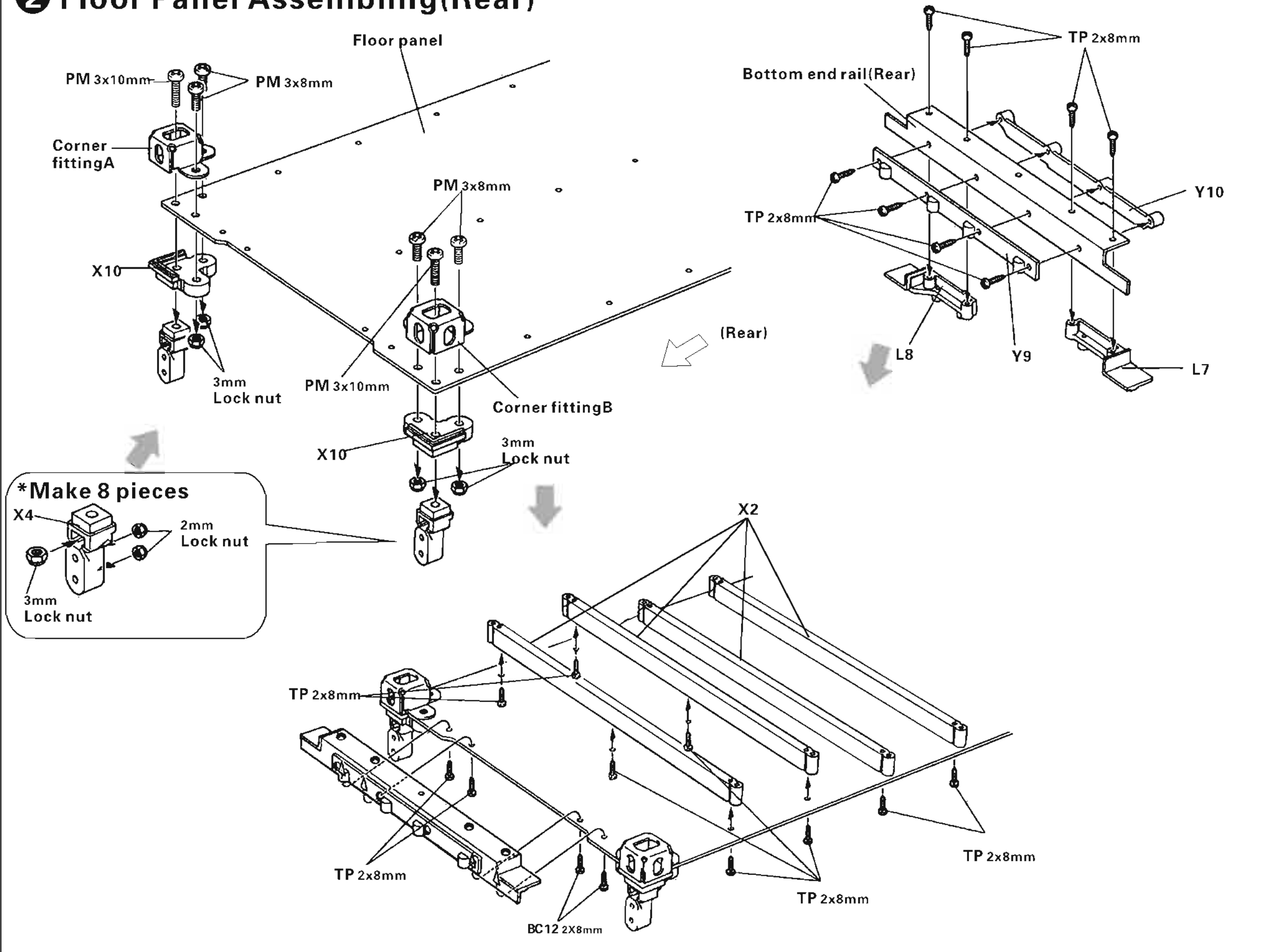
 2mm Lock nut  
x16



**\*Make 8 pieces**



X4 2mm Lock nut  
3mm Lock nut



3

### 3 Floor Panel Assembling(Front)

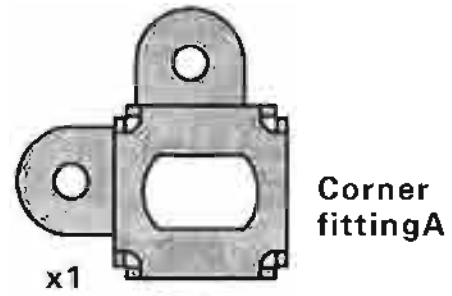
PM 3x10mm  
Screw  
x2

PM 3x8mm  
Screw  
x4

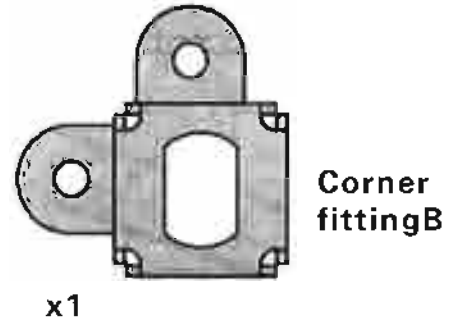
TP 2x8mm  
Screw  
x19

TP 2x6mm  
Screw  
x4

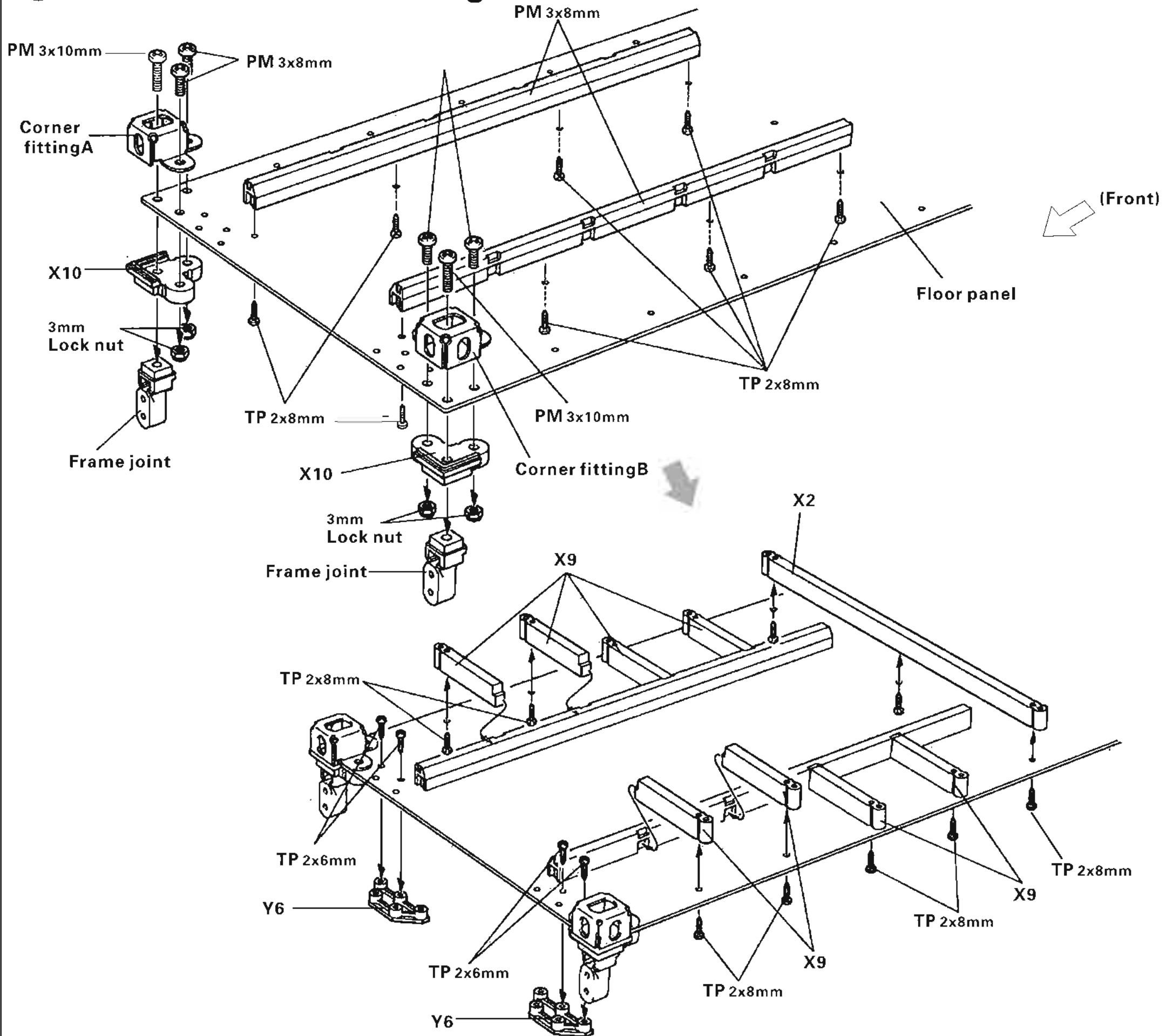
3mm  
Lock nut  
x4



Corner fittingA  
x1



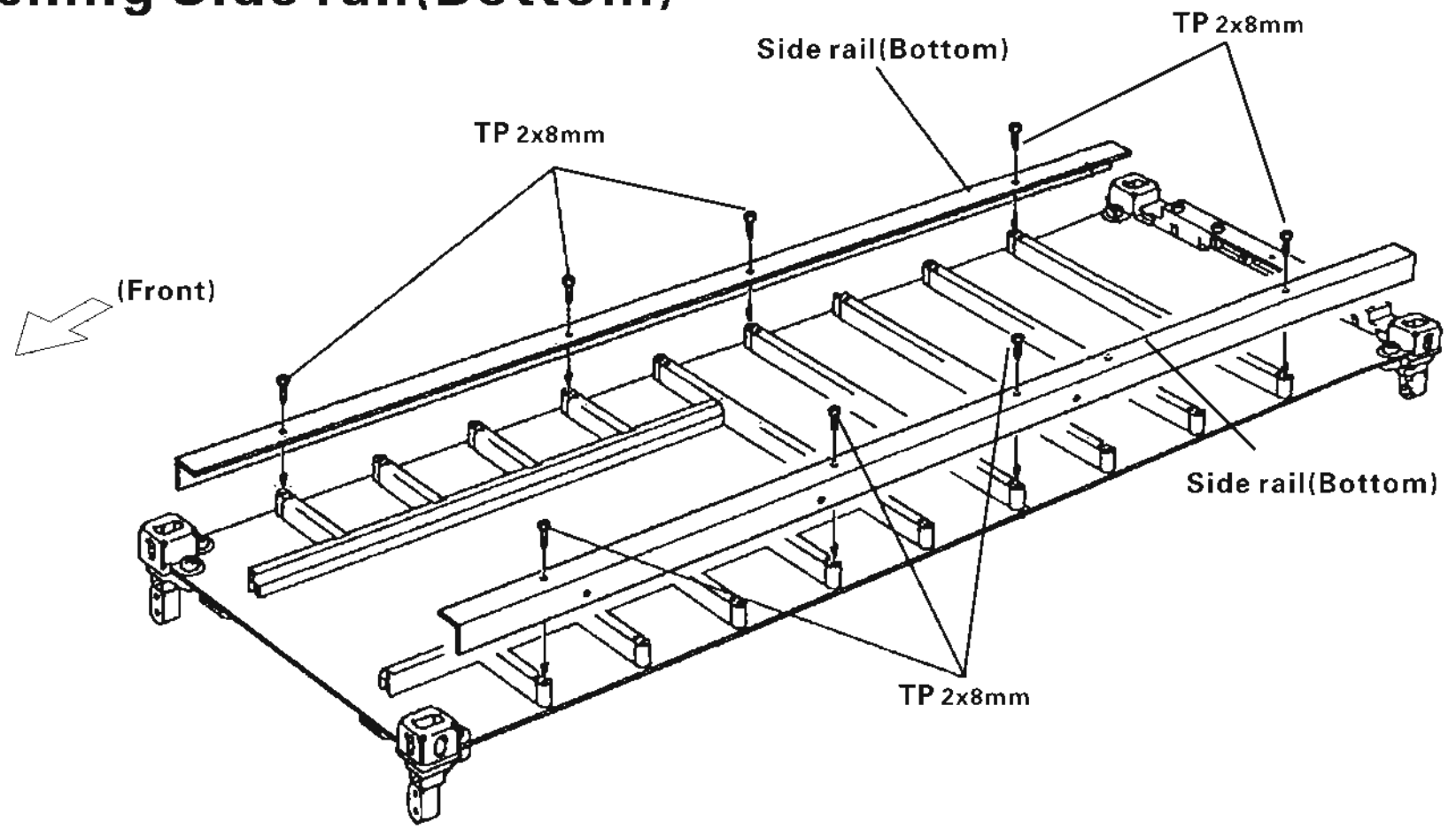
Corner fittingB  
x1



4

### 4 Attaching Side rail(Bottom)

TP 2x8mm Screw x8



5

### 5 Attaching Corner Fitting(Roof)

PM 3x10mm Screw x8

PM 3x8mm Screw x4

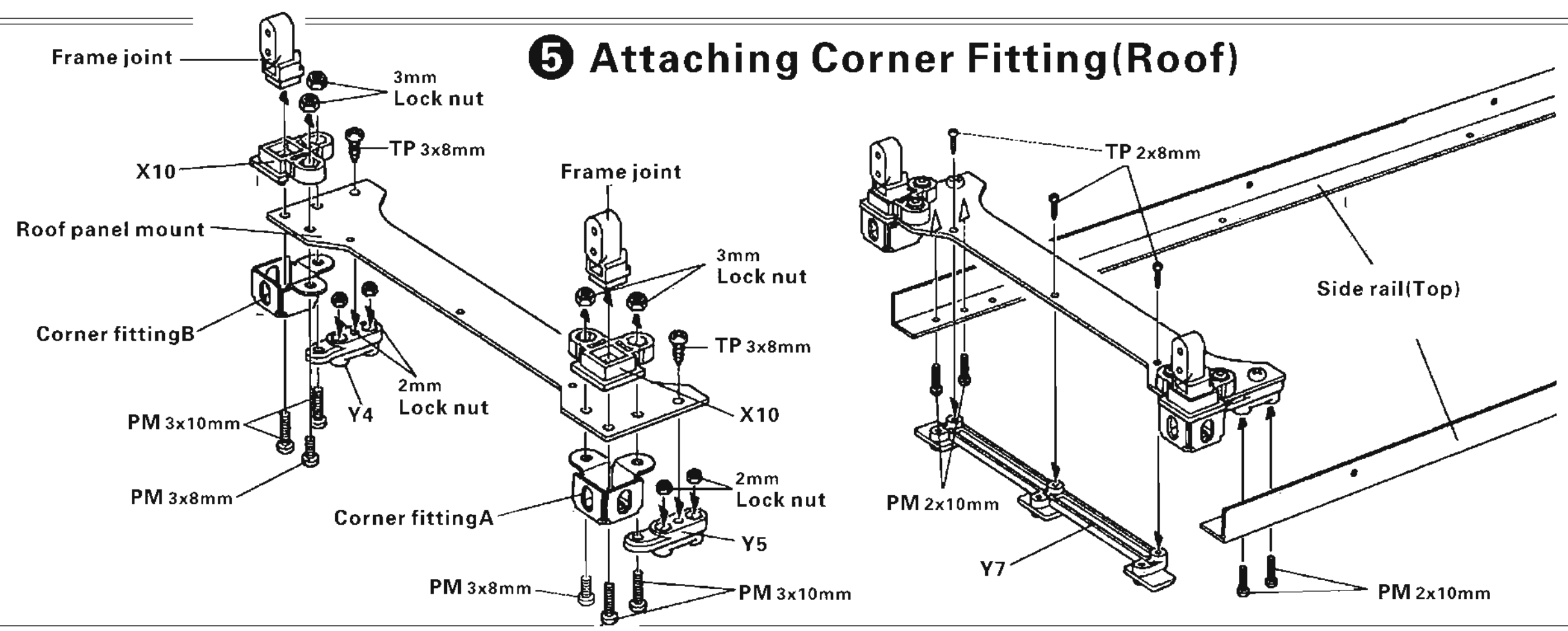
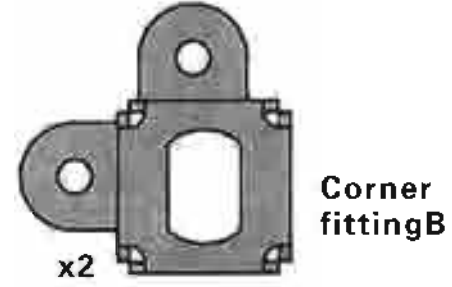
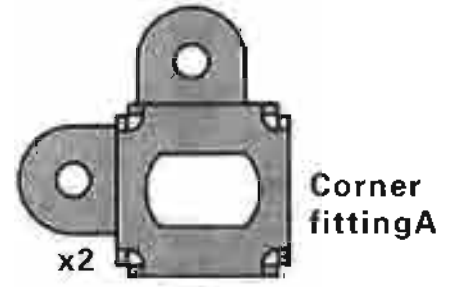
TP 3x8mm Screw x4

PM 2x10mm Screw x8

TP 2x8mm Screw x6

3mm Lock nut x8

2mm Lock nut x8



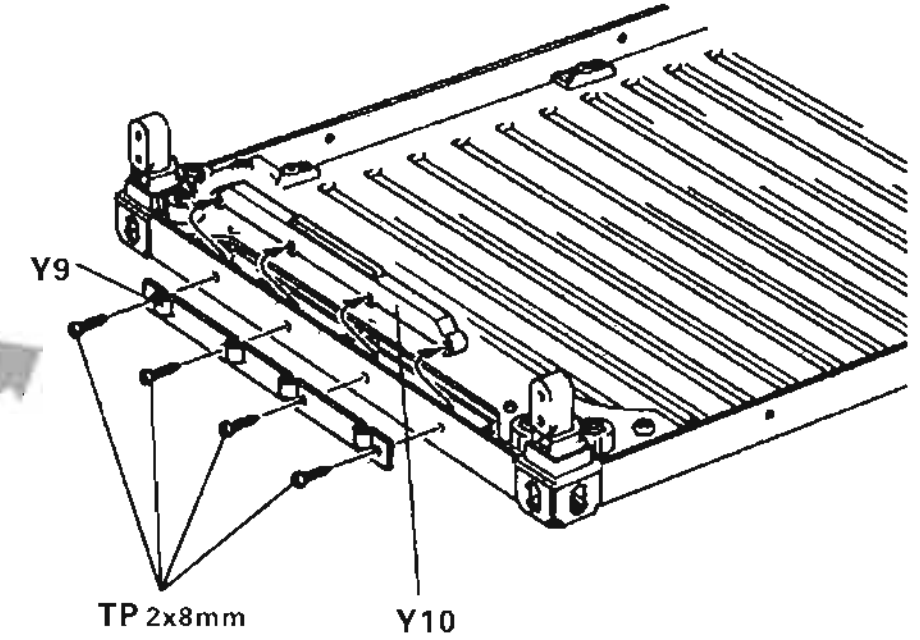
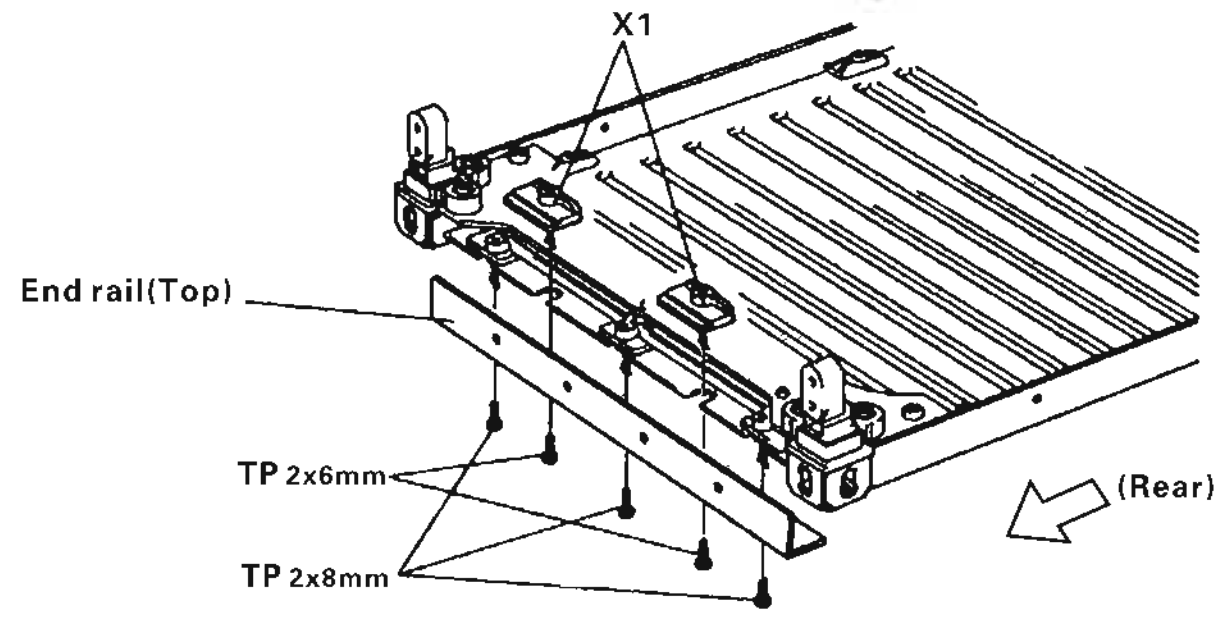
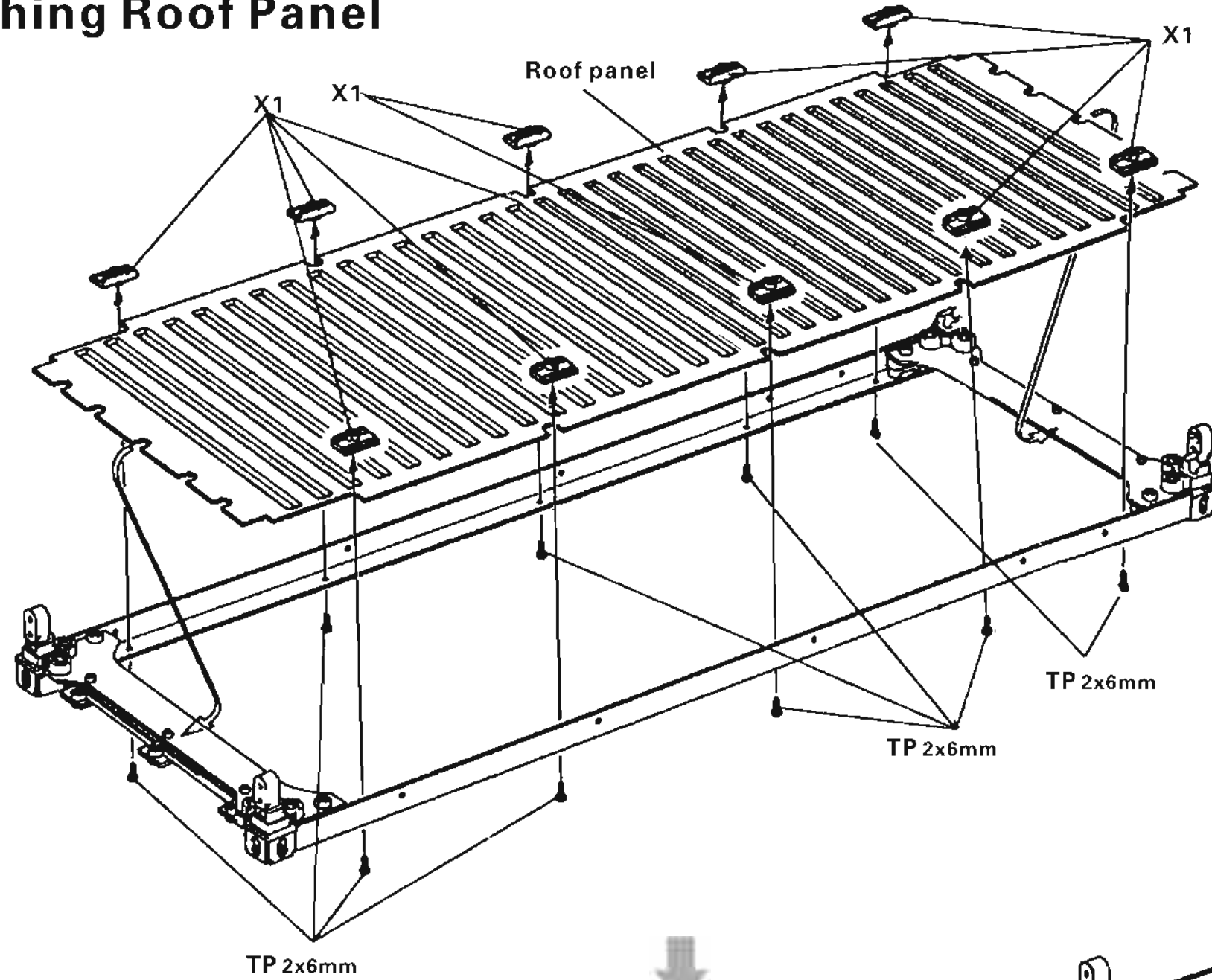
6

# 6 Attaching Roof Panel

TP 2x8mm Screw x7

TP 2x6mm Screw x12

(Inside)  
↑



7

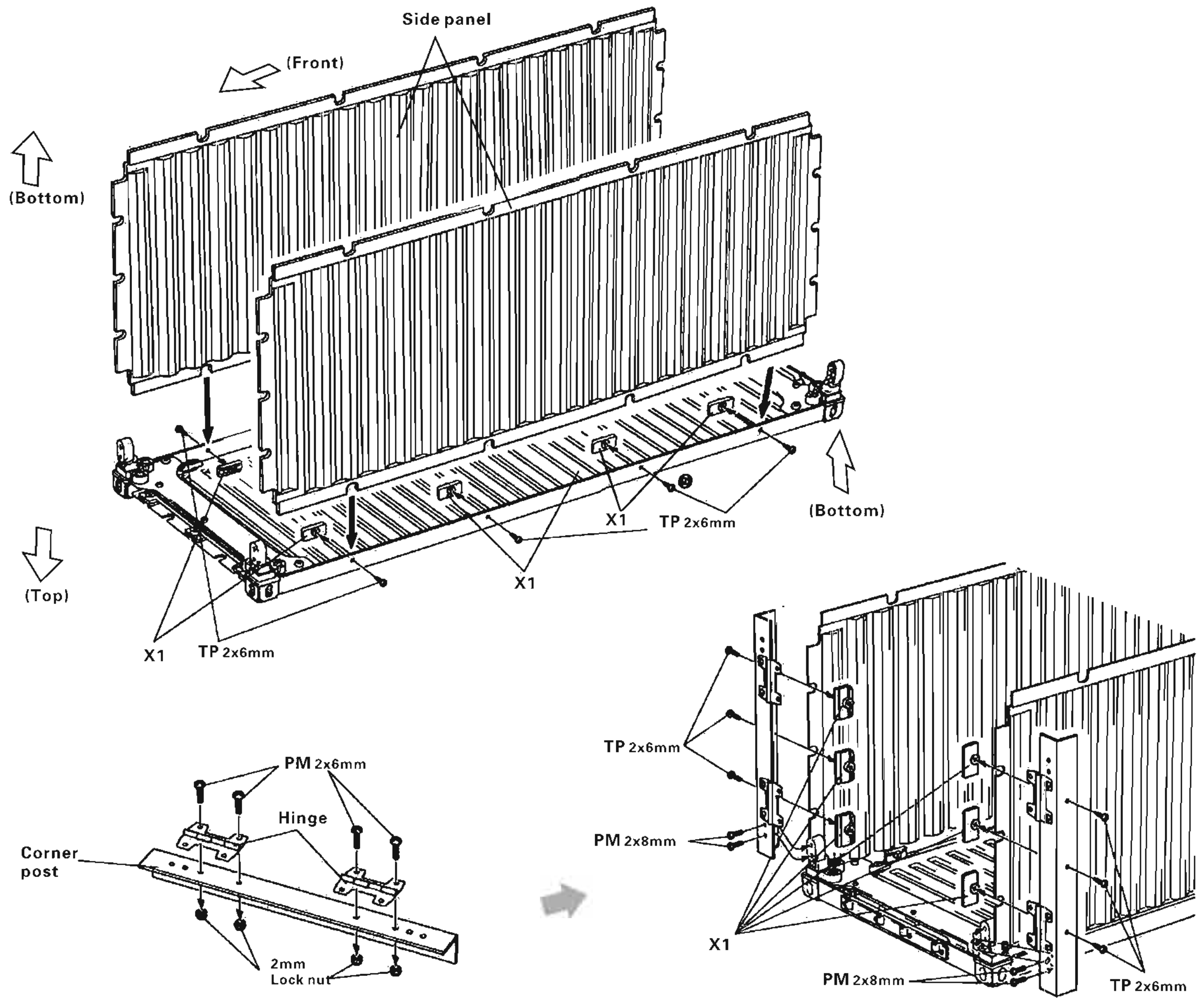
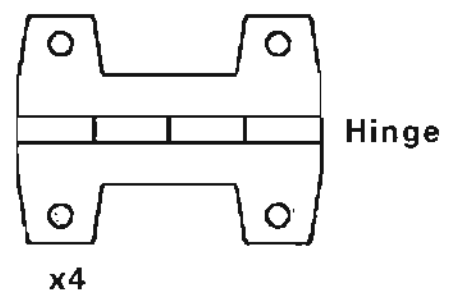
# 7 Attaching Side Panel

PM 2x8mm Screw  
x4

PM 2x6mm Screw  
x8

TP 2x6mm Screw  
x14

2mm Lock nut  
x8

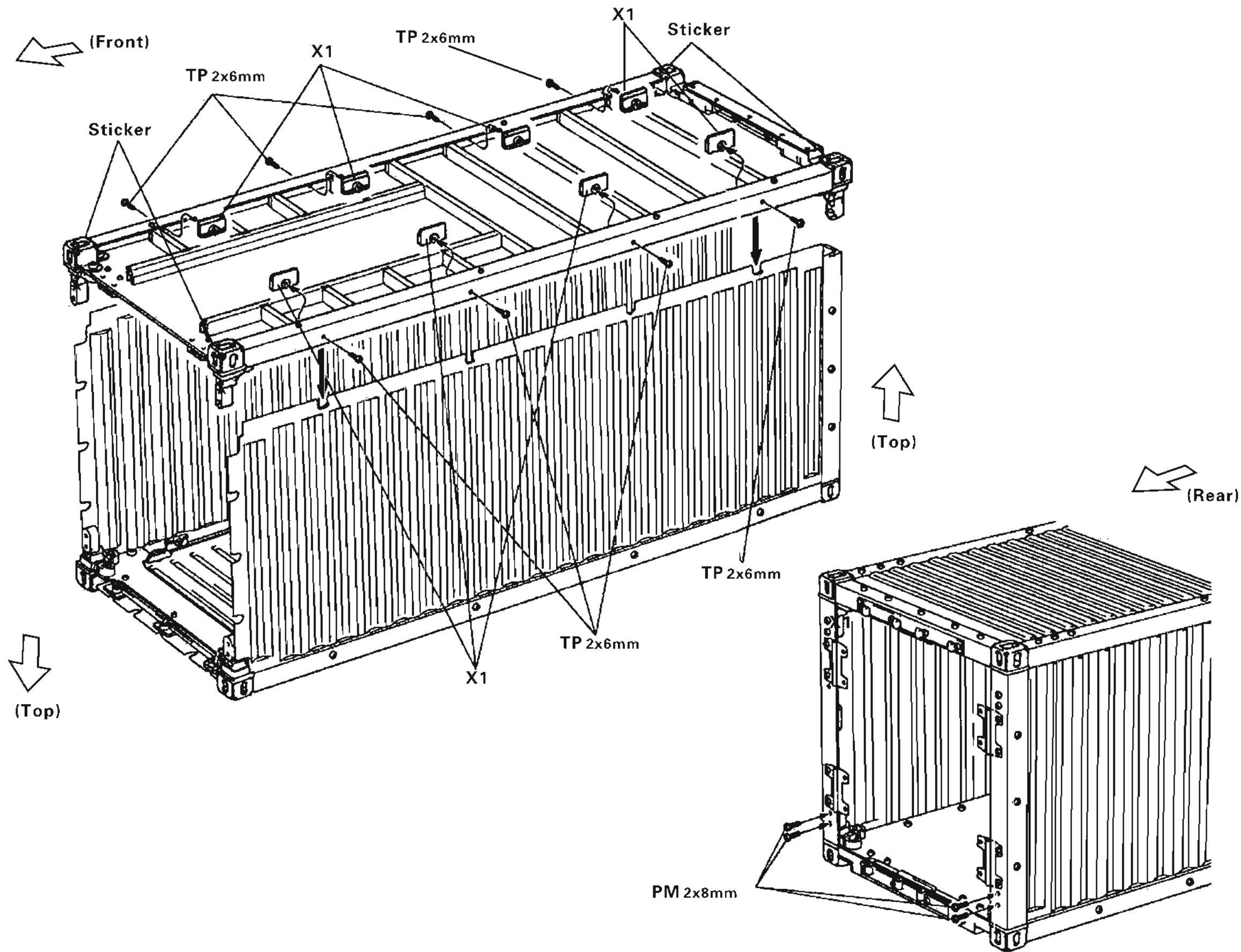


8

PM 2x8mm  
Screw  
x4

TP 2x6mm  
Screw  
x8


## 8 Panel Assembling







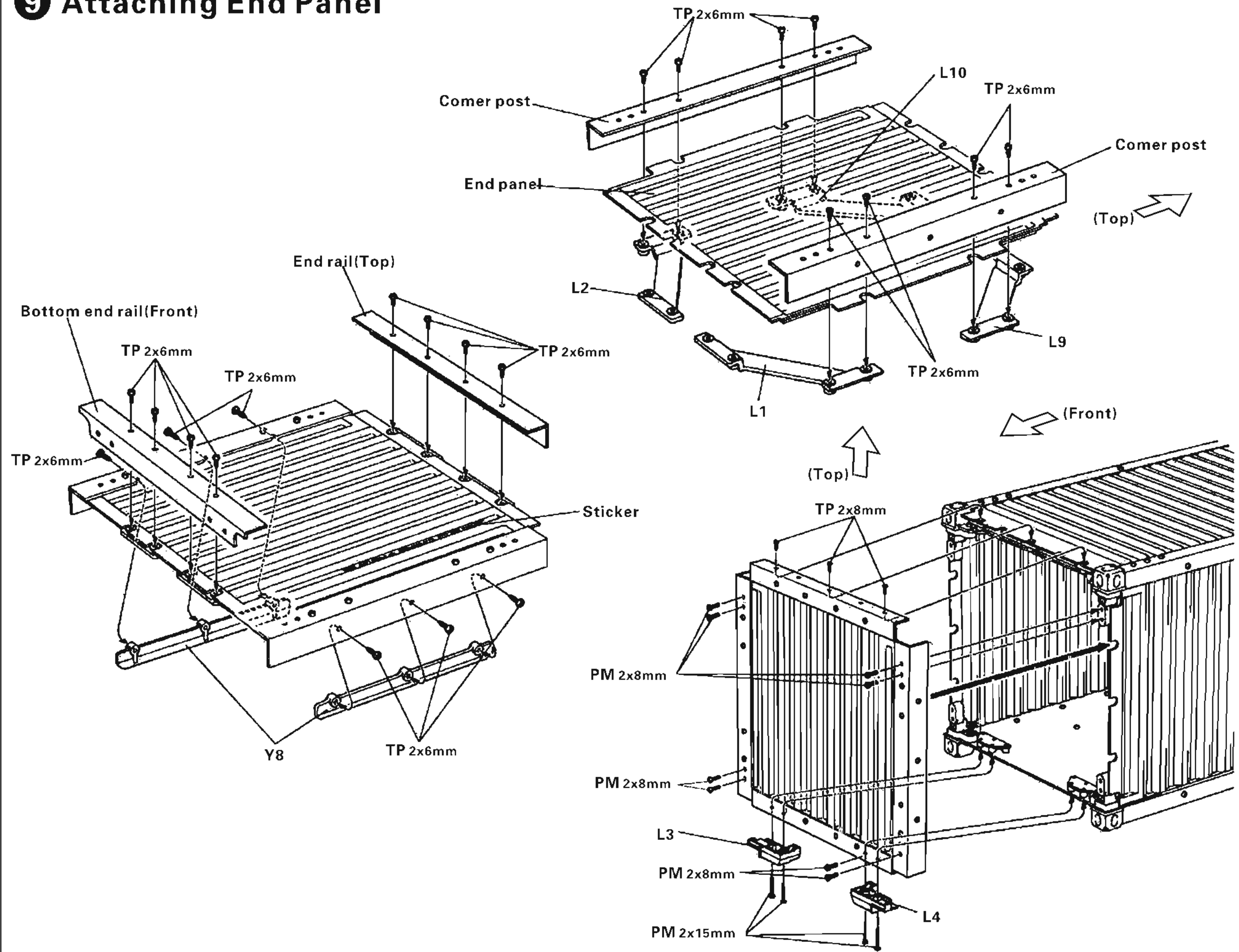
# 9 Attaching End Panel

 PM 2x15mm Screw  
x4

 PM 2x8mm Screw  
x8


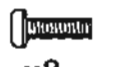
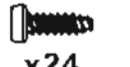


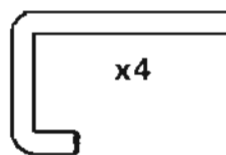
 TP 2x8mm Screw  
x3

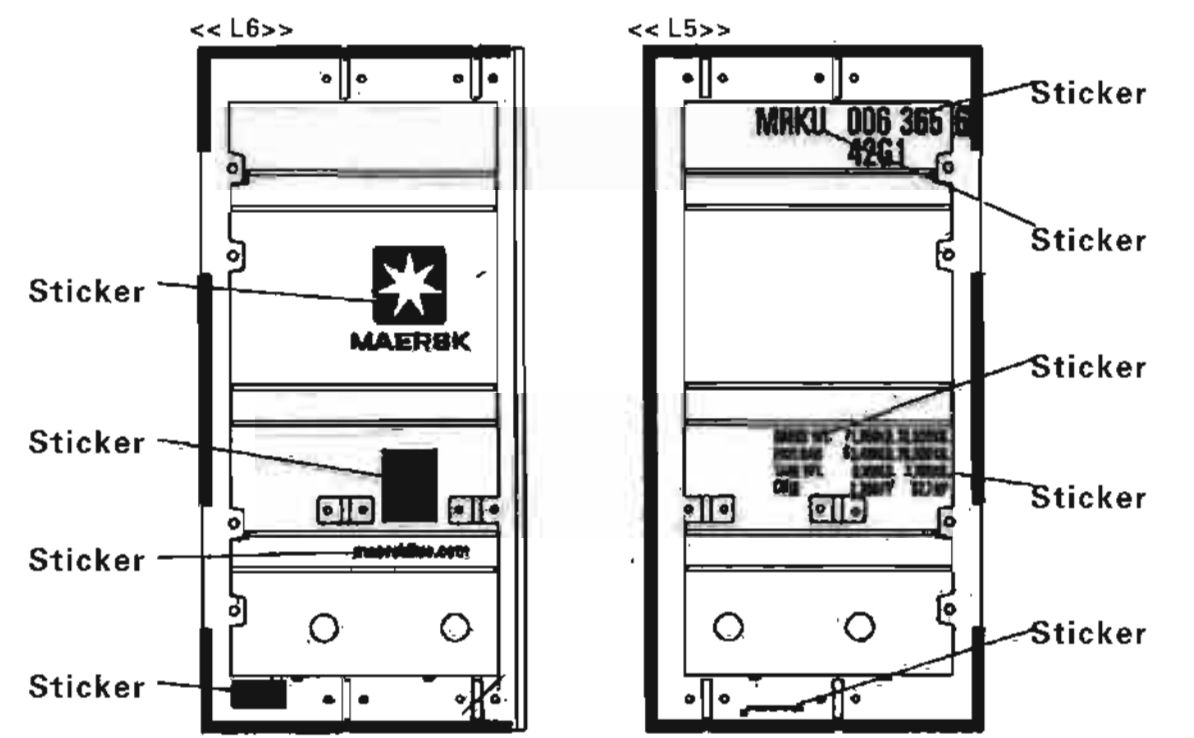
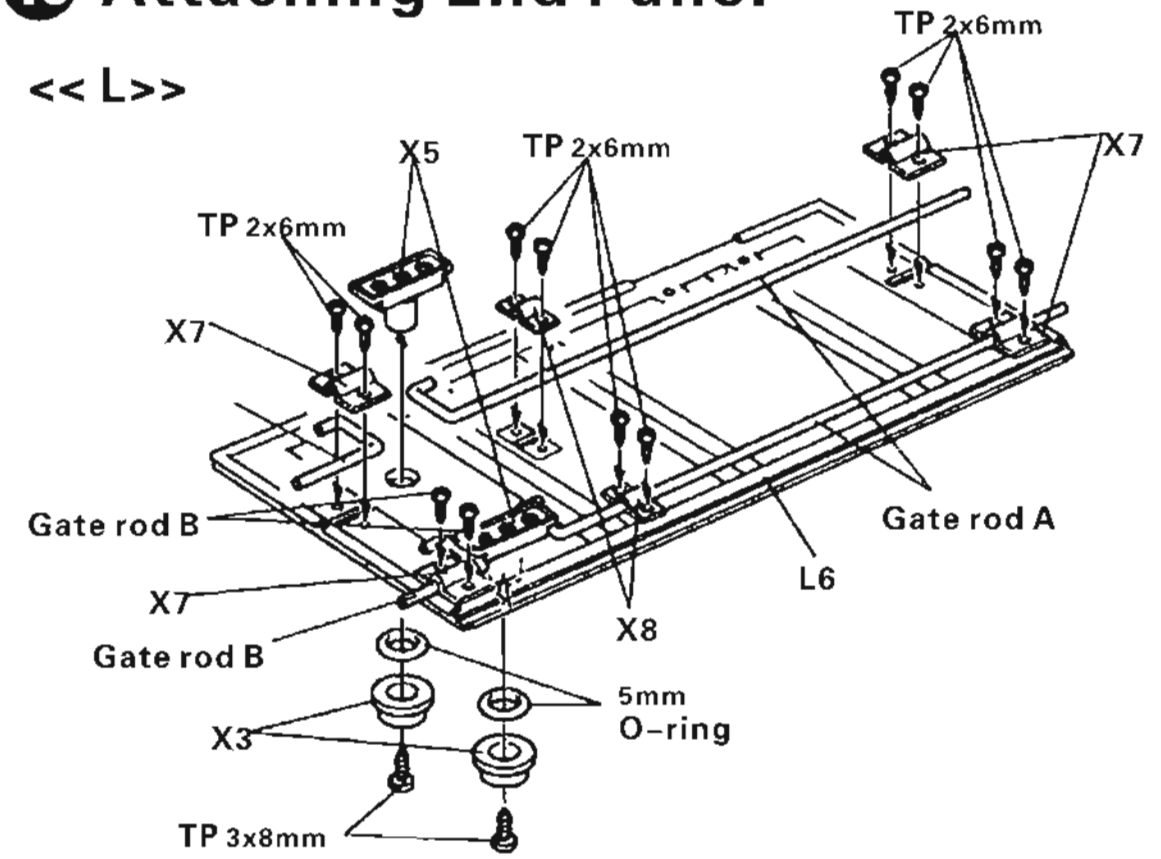
 TP 2x6mm Screw  
x22




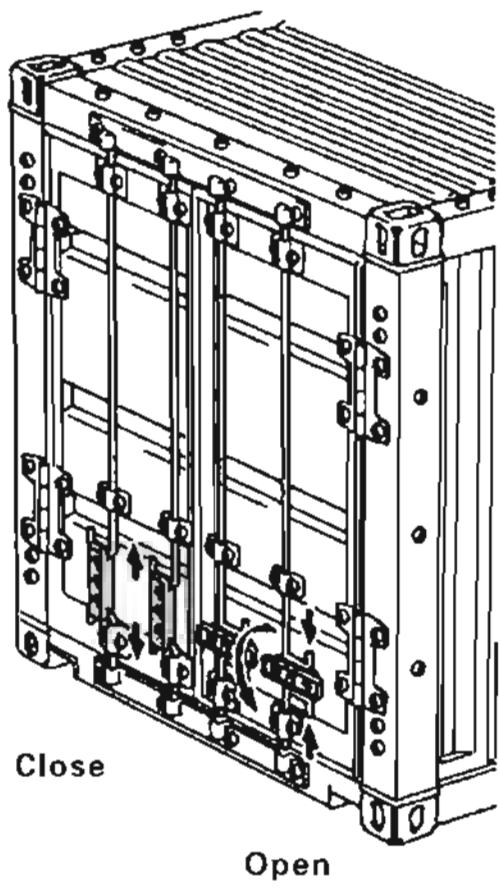
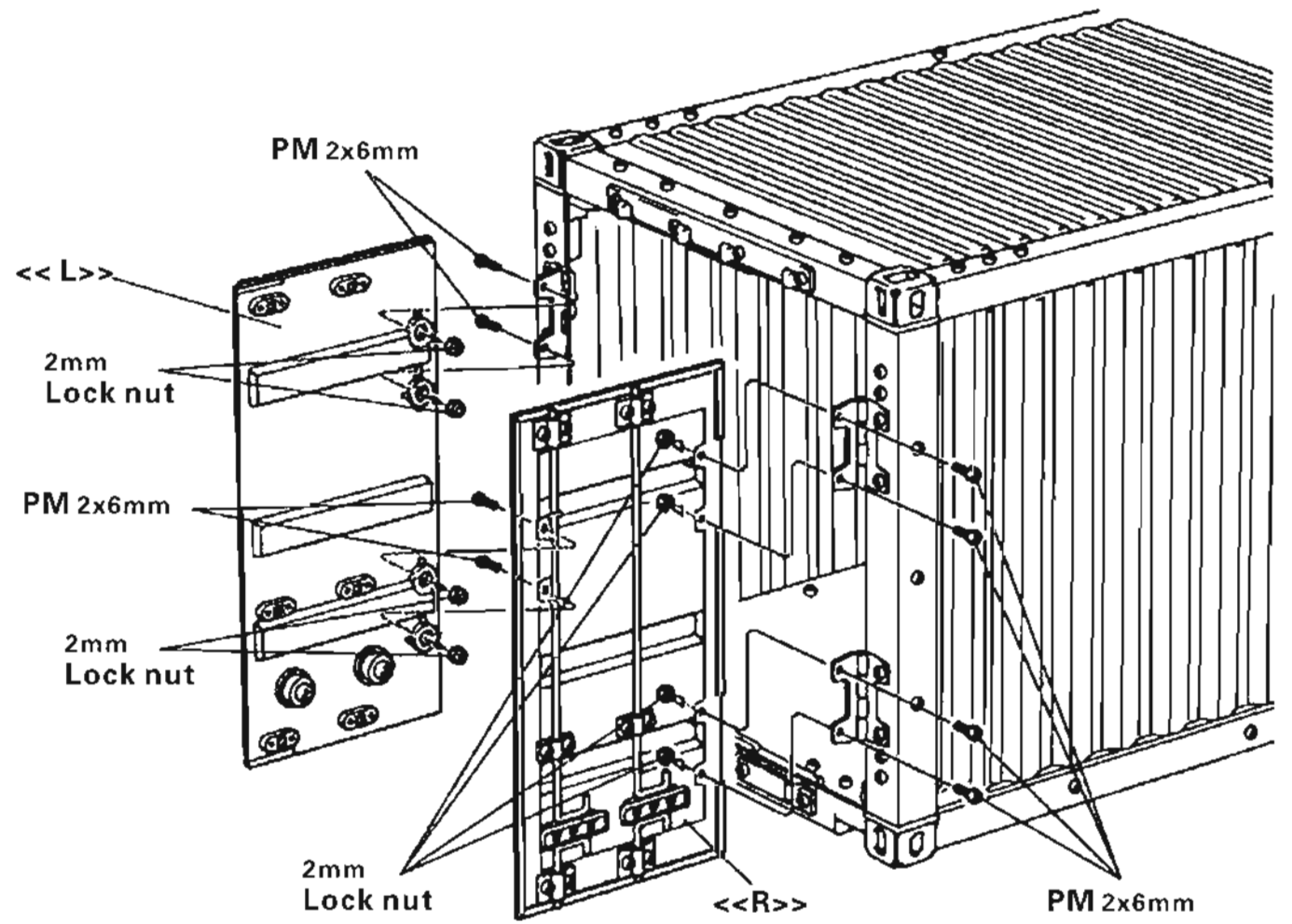
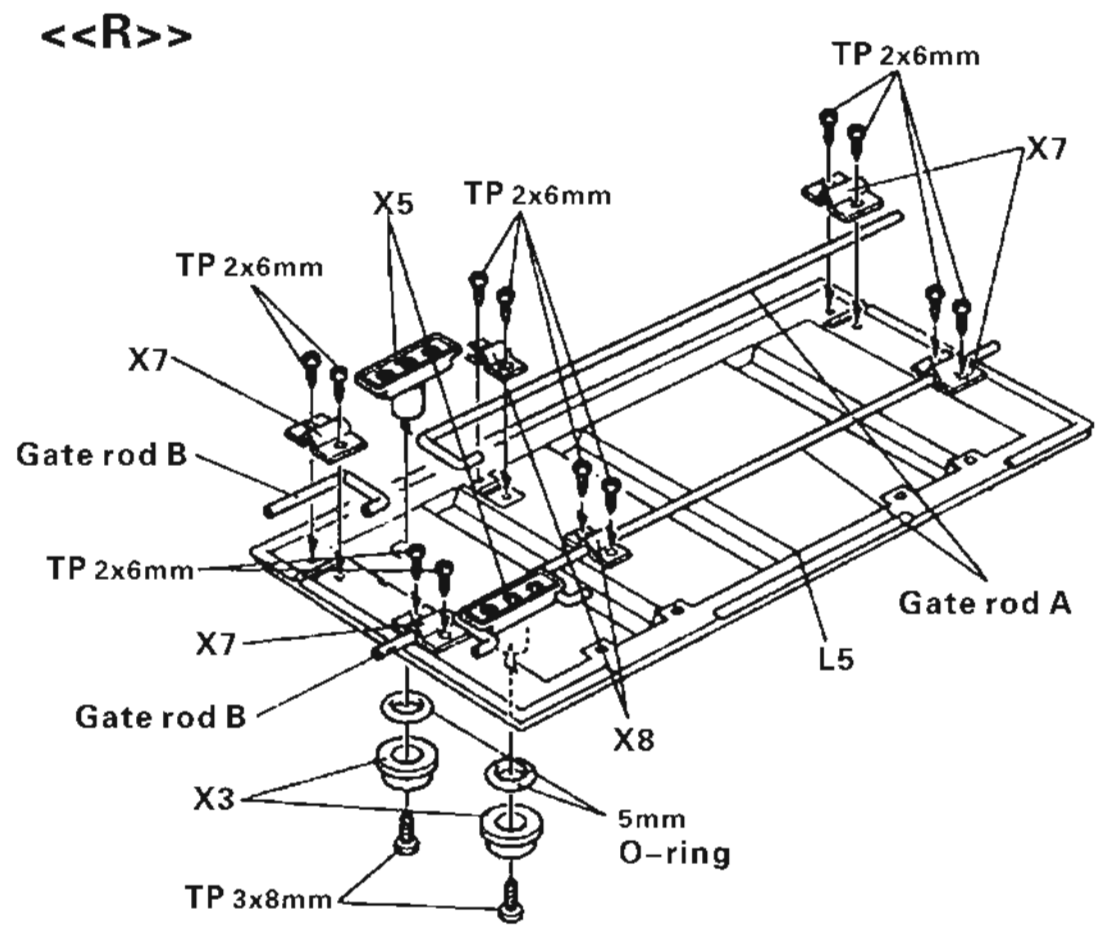
10

# 10 Attaching End Panel

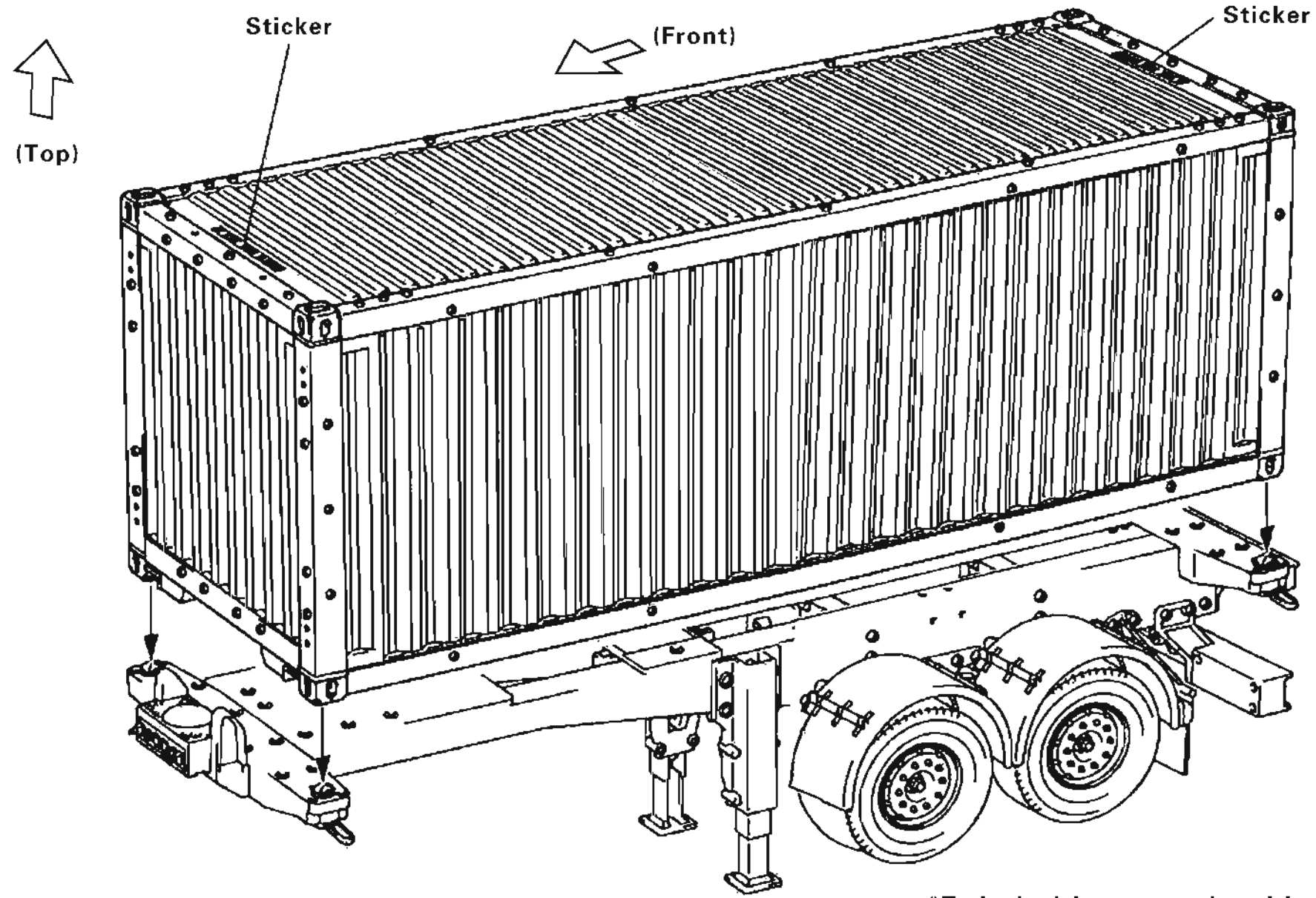
-  TP 3x8mm Screw x4
-  PM 2x6mm Screw x8
-  TP 2x6mm Screw x24
-  2mm Lock nut x8
-  5mm O-ring x4
-  Gate rod B x4



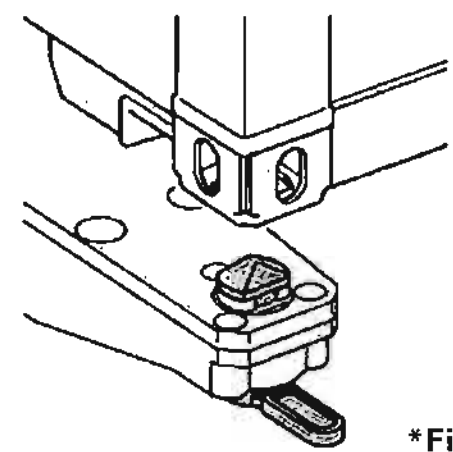
-  Gate rod A x4



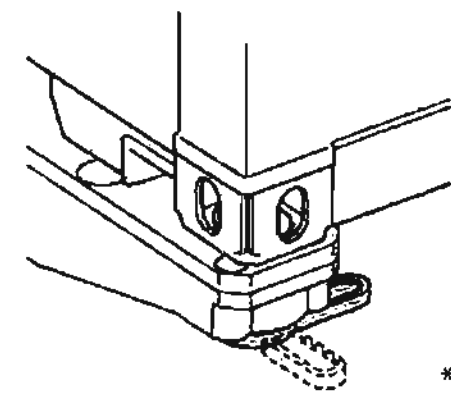
# 11 How to Attaching Container to Semi-Trailer



Securing container

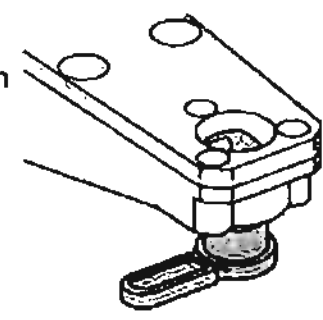


\*Fit twist lock into corner fitting



\*Twist lever 90° to secure

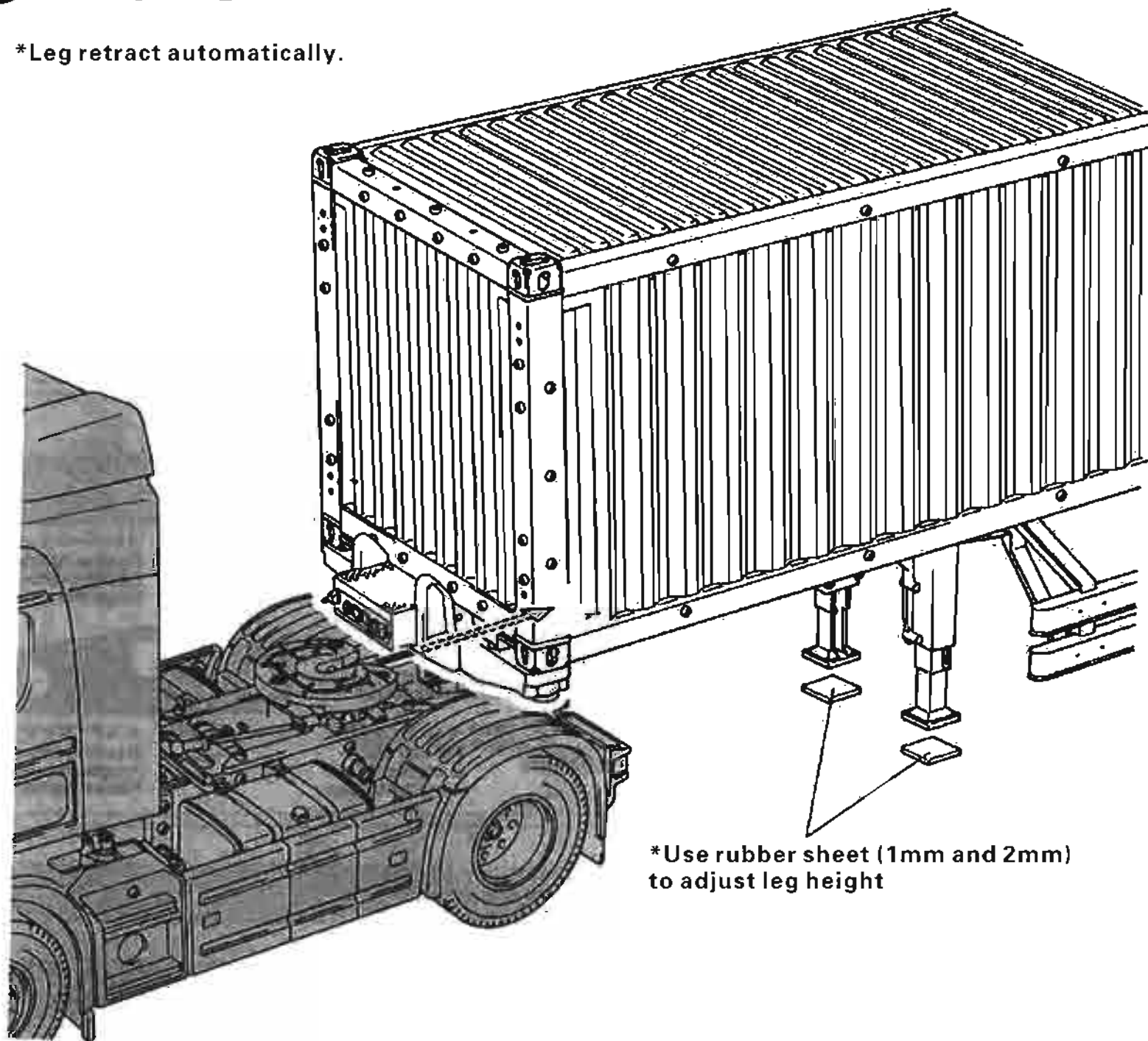
\*Twist lock in retracted position



\*Lift the lever and twist 90°

## 12 Couping trailer

\*Leg retract automatically.



\*Use rubber sheet (1mm and 2mm)  
to adjust leg height

\*Extend legs prior to release

